



Project:
Item:
Quantity:

**MEGA T-420X / MEGA T420X/2
VACUUM PACKAGING MACHINE**



Picture : Mega T420X/2

FEATURES

- Seal bar length: 16.5"
- Seal bar length: 16.5"x 2 (Mega T-420/2)
- Two seal bars with two wires, for double security
- Seal bars easily removable for cleaning and maintenance purposes
- Pump capacity: 889 cf/h (25 m³/h) Busch vacuum pump
- Pump maintenance and cleaning program
- Machine cycle: 20-45 sec
- Time control: 1-99 sec
- Transparent lid, which opens automatically after every cycle
- Deep drawn vacuum chamber
- Comes with insert plates for a faster cycle and product adjustment
- Stainless steel exterior
- 6ft cord with Nema 5-20P plug
- Standard with service kit

DESCRIPTION

The robust, stainless steel MEGA T-420X vacuum packer is standard equipped with a Busch vacuum pump. The machine is ETL listed and complies with UL, CSA and CE standards.

OPTIONS AND ACCESSORIES

- Cut-off/Wide seal
- Inclined insert plate
- Food container adaptor
- Cart with castors and shelf



WARRANTY
Pack 3000 offers a warranty of 1 year on labor and 3 years on parts. For full warranty details, please refer to www.pack3000.com

DATE

APPROVAL



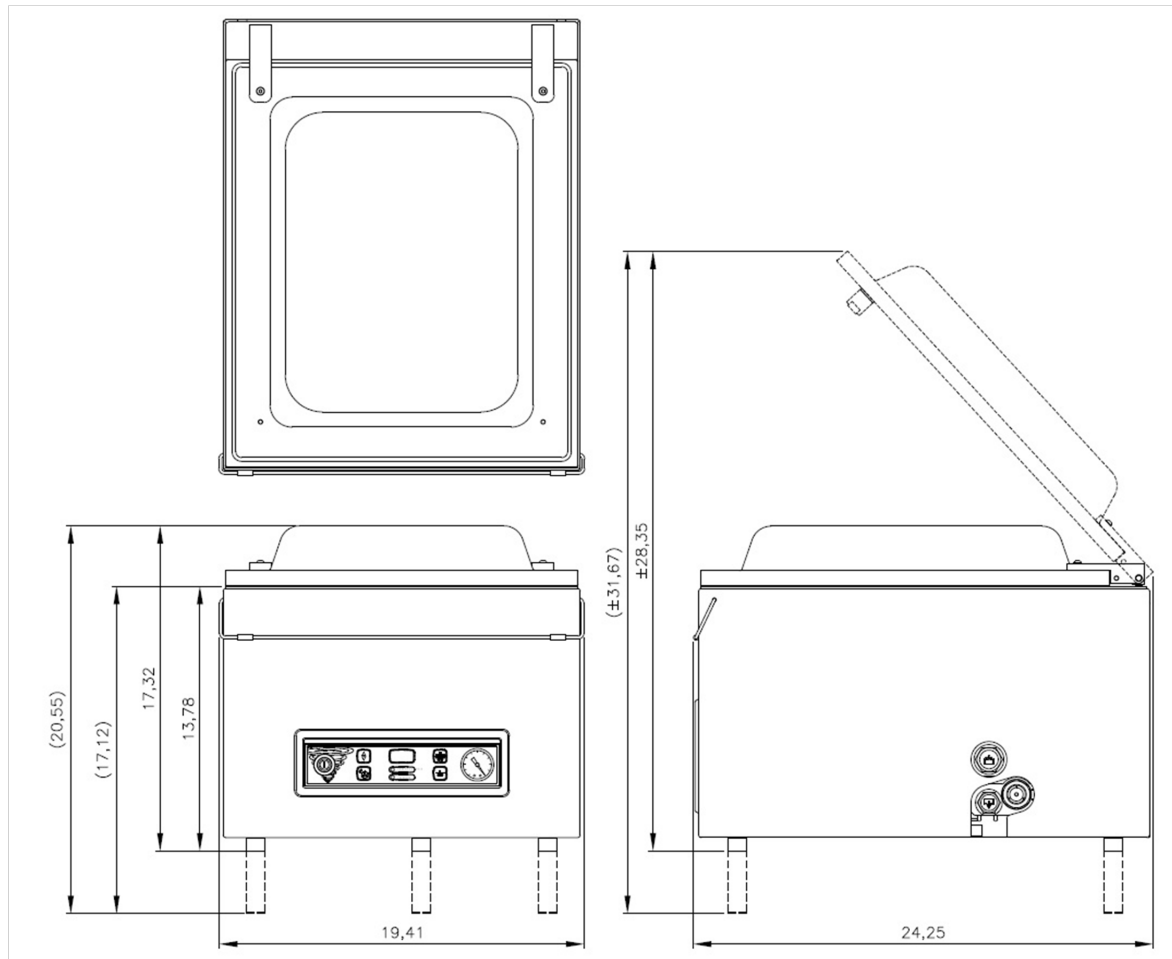
PACK 3000
Sales and technical support
sales@pack3000.com

VACUUM PACKING MACHINE MEGA T-420X SPECS

VACUUM PACKING MACHINE MEGA T-420X - SPEC SHEET

DIMENSIONS

In inches



Model	Dimensions (IN)		Volts	Amps	Hz	Pump capacity	HP	Plug	Weight (lbs)
	Chamber (usable space) LxWxH	Machine LxWxH							
Mega T-420X	16"x16.5"x7"	24.2"x19.4"x17.3"	110-120V	13	60Hz	889 cf/h (25 m ³ /h)	1.34	NEMA 5-20P	159

NEMA 5-20P



20 A/125 V



PACK 3000
Sales and technical support

sales@pack3000.com