

Pack3000

Project:

Item:

Quantity:

VACUUM PACKAGING MACHINE MEGA F-880 – SPEC SHEET

MEGA F-880

VACUUM PACKAGING MACHINE



FEATURES

- Standard with 2 seal bars (left-right): 2 x 25,98 inch
- Optional without extra costs: 2 seal bars (front-back 34,65 inch)
- Standard double seal (two wires). Optional without extra costs: Cut-off or Wide seal (0,39 inch)
- Silicone holders easily removable for cleaning and maintenance purposes
- Pump capacity: 4,237 cf/h 120 m3/h
- Pump maintenance and cleaning program
- Machine cycle: 15-40 sec
- Standard Digital control with 10 program memory and Time control
- Flat work plate
- Comes with insert plates for a faster cycle and product adjustment
- Stainless steel exterior
- Plug NEMA 14-50P 50A/250V

OPTIONS

- 1-2 Cut-off seal
- Sensor control
- Liquid control
- Gas flush (incl. pressed air connection)
- Soft Air to protect the product and vacuum bag

ACCESSORIES

- Inclined insert plate
- 2nd insert plate
- Service kit for standard maintenance

DESCRIPTION

The robust, stainless steel MEGA F-880 vacuum packaging machine has a specific construction of both the lid and the work plate. This results in longer seal bars compared to other series. This floor model is standard equipped with a Busch vacuum pump and complies with CE and ETL standards.



WARRANTY

Pack 3000 offers a warranty of 1 year on labor and 3 years on parts. For full warranty details, please refer to www.pack3000.com

DATE

APPROVAL



PACK 3000
Sales and technical support

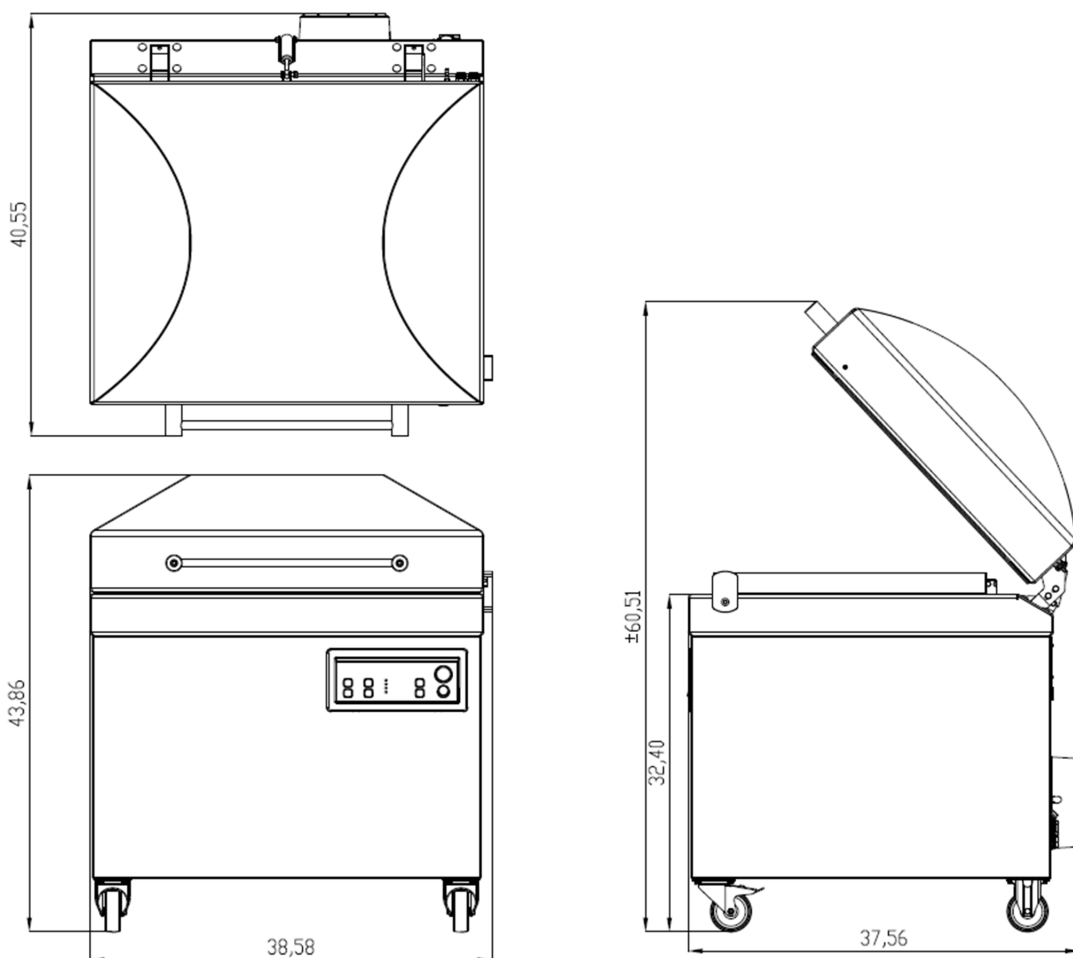
sales@pack3000.com

VACUUM PACAGKING MACHINE MEGA F-880

VACUUM PACKAGING MACHINE MEGA F-880 - SPEC SHEET

DIMENSIONS

In inches



Model	Dimensions (inches)		Volts	Hz	Pump capacity	Amps	HP	Plug	Weight (lbs)
	Chamber (usable space) L x W x H	Machine L x W x H							
Mega F-880	25,98 x 29,92 x 11,02	40,55 x 38,58 x 43,86	208-220V-3	60	4,237 cf/h 120 m3/h	23	4.6	NEMA 14-50P 50A/250V	761



NEMA 14-50P
50A/250V

3 pole, 4 wire grounding 3 x 208 V

PACK 3000
Sales and technical support

sales@pack3000.com