



Project:

Item:

Quantity:

VACUUM PACKAGING MACHINE MEGA D-1100 – SPEC SHEET

**MEGA D-1100
DOUBLE CHAMBER
VACUUM PACK MACHINE**



FEATURES

- Seal bar length: 2 x 43.3"
- Standard double seal (seal bars with two wires, for double security)
- Seal bar system mounted in lid and easily removable for cleaning and maintenance purposes
- Pump capacity: 12,713 cf/h (360 m³/h) Busch vacuum pump
- Pump maintenance and cleaning program
- Machine cycle: 15-40 sec
- Digital control (sensor control, 10 program memory, automatic programming)
- Soft Air (gentle air return)
- Stainless steel lid
- Flat working plate
- Comes with insert plates for a faster cycle and product adjustment
- Stainless steel exterior
- 16ft cord with NEMA 15-50P plug – 50A/250V

DESCRIPTION

The robust, stainless steel MEGA D-1100 double chamber vacuum packaging machine is standard equipped with a Busch vacuum pump. This machine is ETL listed and complies with UL, CSA and CE standards.

OPTIONS AND ACCESSORIES

- External pump
- Automatic lid
- Cut-off seal/1-2 Cut-off seal/Wide seal/Bi-active seal
- Gas flush
- Filler plate for lid
- Inclined insert plate
- Advanced Control System (ACS)
- Liquid Control



WARRANTY

Pack 3000 offers a warranty of 1 year on labor and 3 years on parts. For full warranty details, please refer to www.pack3000.com.

DATE

APPROVAL



PACK 3000
Sales and technical support

sales@pack3000.com

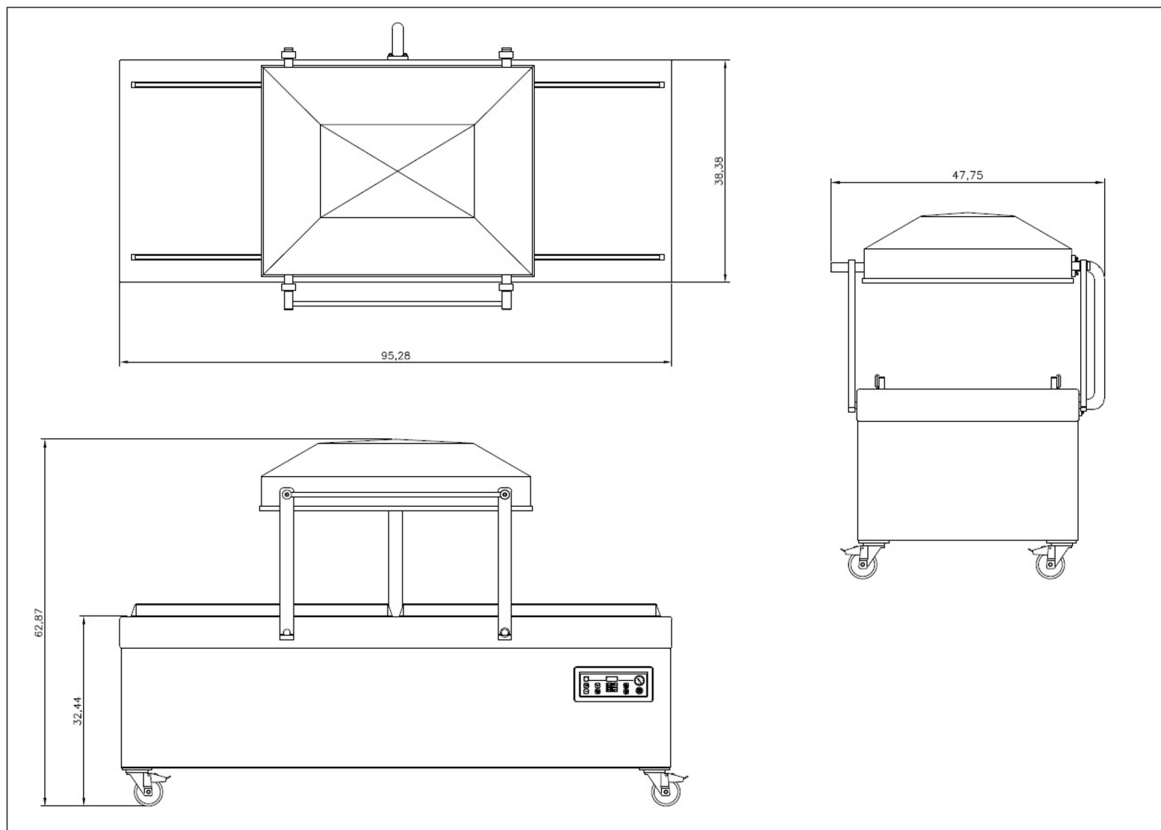
VACUUM PACKAGING MACHINE

MEGA D-1100 – SPECS

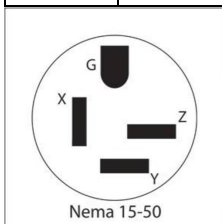
VACUUM PACKAGING MACHINE MEGA D-1100 – SPEC SHEET

DIMENSIONS

In inches



| Model | Dimensions (inches) | | Volts | Amps | Hz | Pump capacity | HP | Plug | Weight (lbs) |
|-------------|--|-----------------------------|----------|--------|------|-------------------------------------|-----|----------------------|-------------------------------|
| | Chamber L x W x H (usable space in inch) | Machine L x W x H (in inch) | | | | | | | |
| MEGA D-1100 | 28.7 x 43.3 x 11 | 47.7 x 95.3 x 62.8 | 208-220V | 37/44C | 60Hz | 12,713 ch/h (360 m ³ /h) | 8.8 | NEMA 15-50P 50A/250V | 1,510 (360 m ³ /h) |



3 pole, 4 wire grounding 3 x 208 Volt

*This is the minimum fuse value with the recommended characteristic



PACK 3000
Sales and technical support

sales@pack3000.com